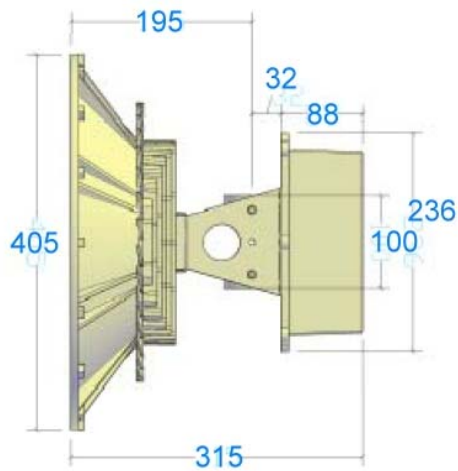
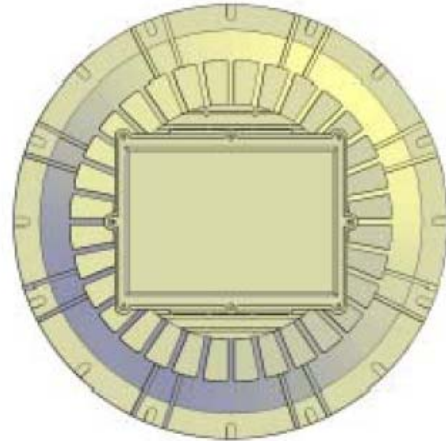
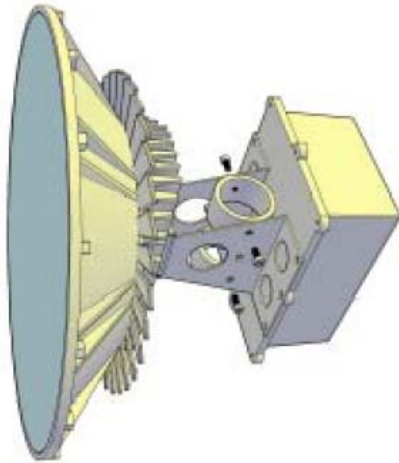
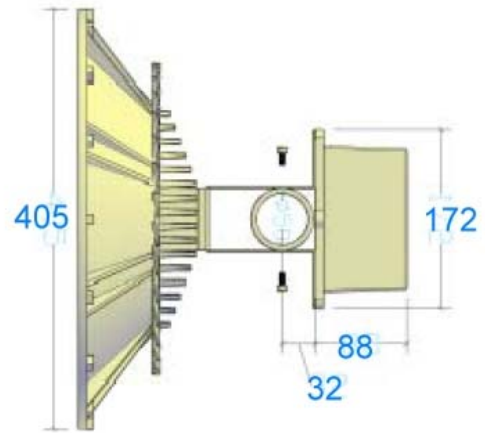




### Outline Dimension

UNIT : mm



## 55W LED Streetlamp Warm White Technical Specification



## Technical Specification

Product name		55W LED Streetlamp Warm White									
Color Temperature		2300K~3800K									
Product model		sh-241.45-6.2					sh-241.45-12				
Illumination module		High power LED luminosity					High power LED luminosity				
Total luminous flux		2729.33 lm					2820.11 lm				
Greatest luminosity		8429.02 cd					2477.41 cd				
Input voltage		AC 110V~240V(50Hz/60HZ)					AC 110V~240V(50Hz/60HZ)				
Power loss		65W					65W				
Height \ Diameter	Diameter degree of illumination (Lux)	Diameter degree of illumination (Lux)					Diameter degree of illumination (Lux)				
		Center	4m	8m	14m	16m	Center	4m	8m	14m	16m
6m						53 Lux	29	13	7	4	
7m						54.5 Lux	39	21	9	7.5	
8m											
9m											
10m											
11m											
12m											
Operating environment temperature		-20~+50°C					-20~+50°C				
LED life		50000hr					50000hr				
Waterproof rank		IP66					IP66				
Lamp body		Aluminum alloy casting, powder body painting					Aluminum alloy casting, powder body painting				
Fit in with shaft diameter		45mm~50mm(In addition has hangs the wall type ~50mm)									
Weight		7.5kg					7.5kg				
Size		Ø 410×320mm					Ø410×320mm				

**Real Module :**

