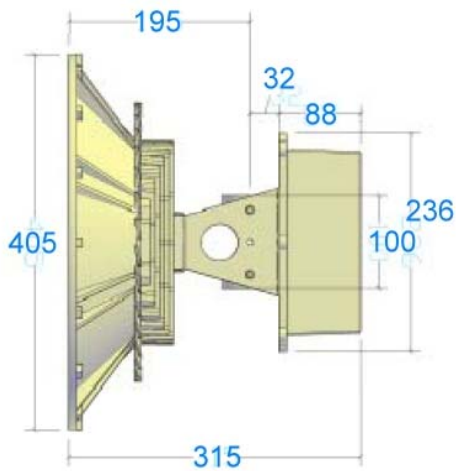
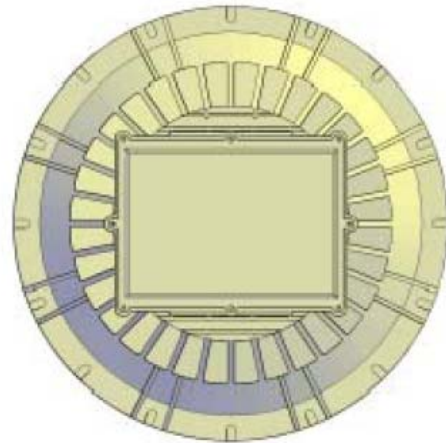
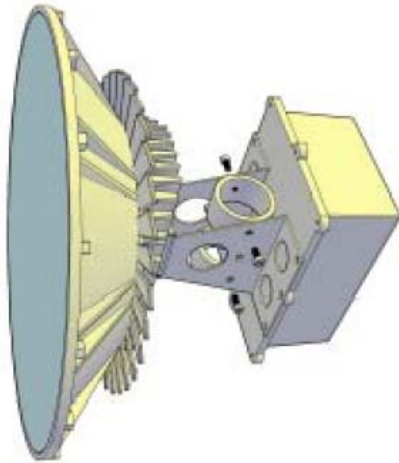
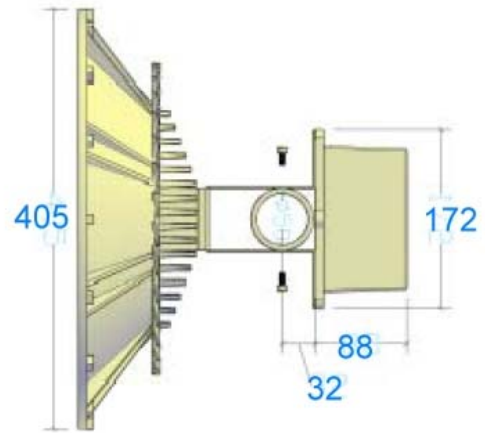




Outline Dimension

UNIT : mm



70w LED streetlamp HS-210-64-12 Technical Specification



Technical Specification

ITEM	Parameter	Description
Luminous flux	3200LM	
Color Temperature	5000k~6300k	Cold optical system
Color Temperature	2300k~3800k	Warm optical system
Wavelength	590nm	Amber optical system
Power Connector	Waterproof connector	CNS.14166.
Protection Class	IP65	Its lamp case design, picks the nature heat sink way, does not need the auxiliary heat sink.
Input Voltage	110V~240V(AC)	High Luminous Intensity LED64PS
Output DC	12V(DC)	
Power Consumption	75W	

The power supply, the switch electrical measurement tries 2500 number of times. Insulation resistance may bear above the 1500V 1 minute, against is struck by lightning 5KV.

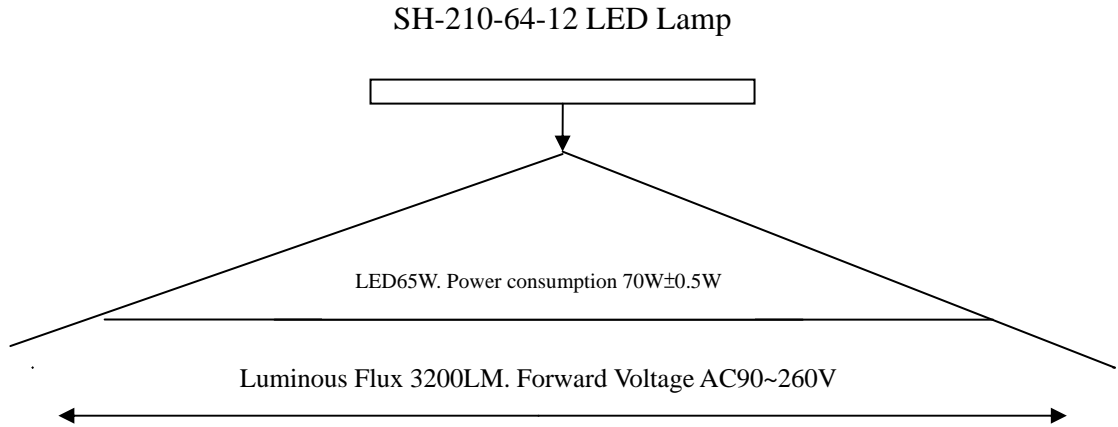
Consumes the electricity comparison :

Product	Power consumption
SH-210-64-12 LED 65w Lamp	$70W * 10(\text{Hour}) * 365(\text{Day}) = 255.5 \text{ KWH}$
Mercury Lamp 200w	$200W * 10(\text{Hour}) * 365(\text{Day}) = 730 \text{ KWH}$
Mercury Lamp 400w	$400W * 10(\text{Hour}) * 365(\text{Day}) = 1460 \text{ KWH}$
Mercury Lamp 500w	$500W * 10(\text{Hour}) * 365(\text{Day}) = 1825 \text{ KWH}$

SH-210-64-12 LED the 65w lamp consumes electricity 70w, above the life 30000 hours, may substitute for solid metal 400w, mercury lamp 500w.



SH-210-64-12 LED Lux :



	8MWidth				0M	8MWidth			
Height 6M	8M	6M	4M	2M	Center	2M	4M	6M	8M
Lux	10.7	12.8	29	61	98	61	29	12.8	10.7
Height 7M	8M	6M	4M	2M	0M	2M	4M	6M	8M
	10	12	28	52	72	52	28	12	10
Height 8M	8M	6M	4M	2M	0M	2M	4M	6M	8M
	9.2	11.8	26	42.6	60	42.6	26	11.8	9.2
Height 9M	8M	6M	4M	2M	0M	2M	4M	6M	8M
	9	11.3	24	38.6	49.3	38.6	24	11.3	9
Height 10M	8M	6M	4M	2M	0M	2M	4M	6M	8M
	8.8	11	22.6	33.3	38	33.3	22.6	11	8.8
Height 11M	8M	6M	4M	2M	0M	2M	4M	6M	8M
	8.6	10.6	19.3	26.6	33.3	26.6	19.3	10.6	8.6
Height 12M	8M	6M	4M	2M	0M	2M	4M	6M	8M
	8.3	10	19.6	25.3	28	25.3	19.6	10	8.3

Real Module :

