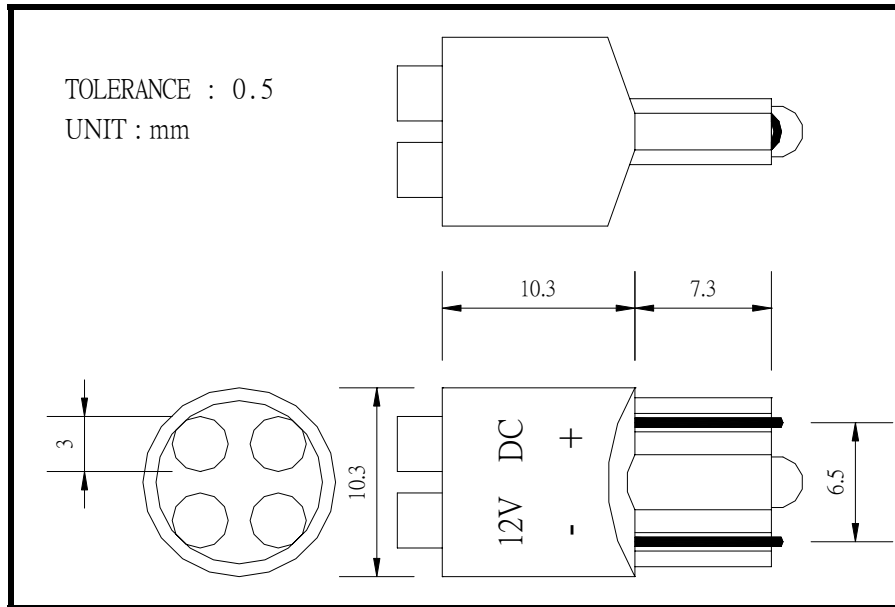




ROYAL LIGHT ELECTRONICS CO., LTD.



## LHTT104C-0304xxx BASED LED Technical Specification

# Technical Specification

## Description

Our BASED LED light uses the latest technology, LED light engines which are available in a range of led colours and beam angles.

Benefit from long life, low power, low maintenance and low heat.

- Contains 4 x 0.065W high lumen Ø3 LEDs
- Colours include: **White, Red, Green, Blue, Yellow.**
- LEDs with over 20K hours life

## Specification

ITEM	Parameter	Description
Input Voltage	DC 5V or 12V or 24V	
LED Qty	4 Pieces	
Driver Model	Constant Current	
Beam Angle	120°	
Luminous Flux	--	--
Housing Material	PC Plastic	
Product Size each	Ø10*20mm	
Q'ty per Case	1000PCS	

Part Number	EMITTING COLOR	Applied Voltage	Luminous intensity (mcd)	Wavelength $\lambda$ d(nm) or x,y	Viewing angle
LHTT104C-0304V2C	<b>Red</b>	5V,12V,24V	160	630	120°
LHTT104C-0304Y2C	<b>Yellow</b>	5V,12V,24V	160	590	120°
LHTT104C-03041B2C	<b>Bule</b>	5V,12V,24V	240	470	120°
LHTT104C-0304PG7C	<b>Green</b>	5V,12V,24V	800	525	120°
LHTT104C-03041W2C	<b>White</b>	5V,12V,24V	500	X=0.30 , Y=0.31	120°

\*LHTT104C-0304xxC C= Water Clear

\*LHTT104C-0304xxT T= Color Transparent