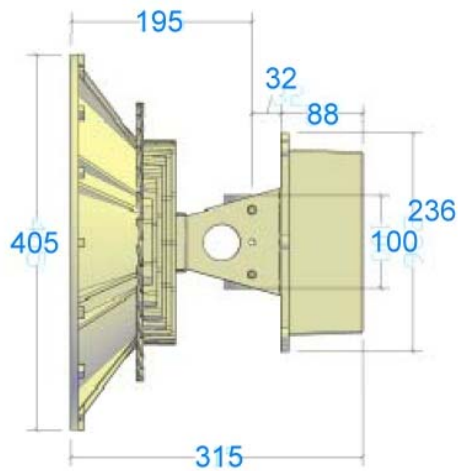
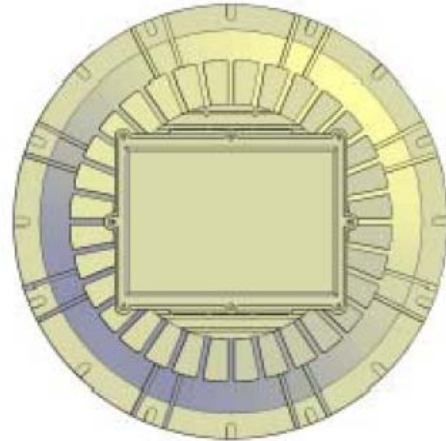
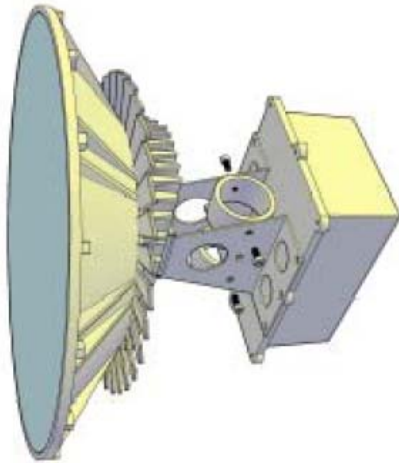
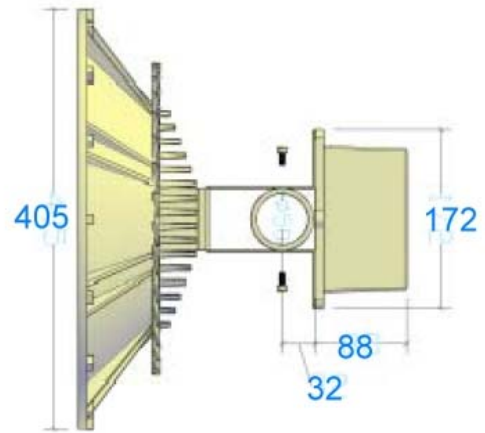




### Outline Dimension

UNIT : mm



## 75w LED streetlamp HS-210-64-12 Technical Specification



## Technical Specification

ITEM	Parameter	Description
<b>Luminous flux</b>	3200LM	
<b>Color Temperature</b>	5000k~6300k	Cold optical system
<b>Color Temperature</b>	2300k~3800k	Warm optical system
<b>Wavelength</b>	590nm	Amber optical system
<b>Power Connector</b>	<b>Waterproof</b> connector	CNS.14166.
<b>Protection Class</b>	IP65	Its lamp case design, picks the nature heat sink way, does not need the auxiliary heat sink.
<b>Input Voltage</b>	110V~240V(AC)	High Luminous Intensity LED64PS
<b>Output DC</b>	12V(DC)	
<b>Power Consumption</b>	75W	

The power supply, the switch electrical measurement tries 2500 number of times.  
Insulation resistance may bear above the 1500V 1 minute, against is struck by lightning 5KV.

### Consumes the electricity comparison :

Product	Power consumption
SH-210-64-12 LED 65w Lamp	$70W * 10(\text{Hour}) * 365(\text{Day}) = 255.5 \text{ KWH}$
Mercury Lamp 200w	$200W * 10(\text{Hour}) * 365(\text{Day}) = 730 \text{ KWH}$
Mercury Lamp 400w	$400W * 10(\text{Hour}) * 365(\text{Day}) = 1460 \text{ KWH}$
Mercury Lamp 500w	$500W * 10(\text{Hour}) * 365(\text{Day}) = 1825 \text{ KWH}$

SH-210-64-12 LED the 65w lamp consumes electricity 70w, above the life 30000 hours, may substitute for solid metal 400w, mercury lamp 500w.

### SH-210-64-12 LED Lux ( Warm White Light ) :

Diameter \ Height	Diameter degree of illumination (Lux)					
	Center	4m	8m	12m	16m	20m
6 M	110 Lux	38	13	5.3	3.5	2.8

**Real Module :**

